



TRIPLE-R 1250

INCLUDES POSITION LIGHT

The iconic Triple-R range is upgraded for 2020/21.

Boasting the very latest high efficiency LED technology, the Triple-R 1250 is a high-performance driving light that delivers an impressive 13,860 lumens in the form of a spot beam pattern which is well suited to both road and off-road applications. The Triple-R 1250 comes with the option to connect an amber or white integrated position/side light function, for when the requirement is for a light installation that gets noticed as much during the day as at night.



100m

200m

LAZER
HIGH PERFORMANCE LIGHTING

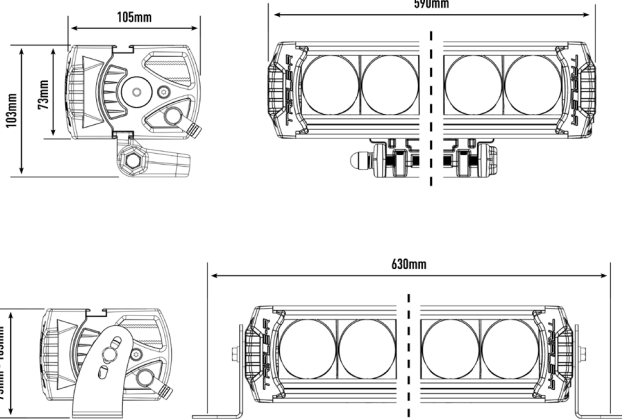
SEE MORE. **GO FASTER.** GO SAFER.

TRIPLE-R 1250

INCLUDES POSITION LIGHT

- Ultra long-range optics optimised for road and race applications
- High intensity LED's deliver exceptional luminosity and left/right spread
- Component technology shared with WRC lighting solutions
- CAE optimised heatsink
- Electronic thermal management
- 'Unbreakable' polycarbonate lens with hardcoat
- Integrated amber or white position light

MOUNTING OPTIONS

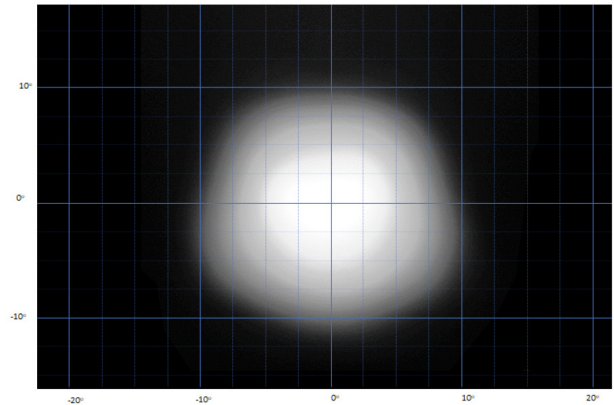


E-MARK REF	20
VOLTAGE RANGE	9V - 32V
RAW LUMENS	13,860
BEAM PATTERN	Spot
BEAM DISTANCE (0.25LX)	1500
# HIGH POWER LEDS	12
POWER CONSUMPTION	125 Watts
CURRENT DRAW†	8.7 Amps
LED LIFE	50,000 Hrs*
WEIGHT	2400g



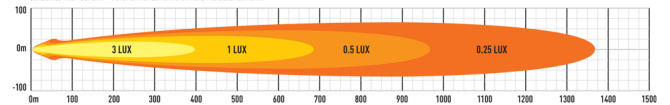
* LED Manufacturers Specifications †At 14.4 Volts

Horizontal: 19.2° / Vertical: 18° (2% of peak)



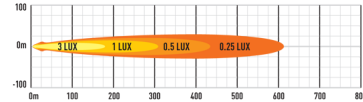
TRIPLE-R 1250 (GEN 2)

GENERATED FROM BIS LAMP PHOTOMETRIC TEST DATA - ON ROAD MEASUREMENT DATA



TRIPLE-R 1250 (GEN 2) - E-MARK COMPLIANT MODE

GENERATED FROM BIS LAMP PHOTOMETRIC TEST DATA - ON ROAD MEASUREMENT DATA



LAZER LAMPS LTD, Units 1+2, Harlow Mill Business Centre, Riverway, Harlow, Essex. CM20 2FD. UK
Tel: +44(0)1992 677374 | Email: sales@lazerlamps.com | Web: www.lazerlamps.com

